

ECP-9501T/R

▶ Single Port Ethernet over Coax Transmitter / Receiver (Elevator)



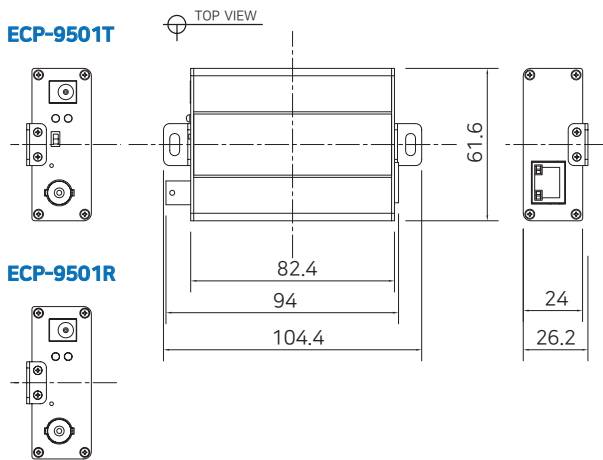
▲ Overview

ECP-9501 is a High-Speed, long distance Ethernet & PoE extender that makes possible to transmit IP data up to 1000m and PoE up to 1000m various analog cables in different situations.

It is cost-effective and time saving solution to migrate existing analog system to IP based system since ECP-9501 supports easy installation utilizing the existing CCTV cable (Coax, UTP, 2wire).

With long distance transmission feature, the device makes to overcome 100 meters distance limitation easily and reduces the construction cost significantly compared with fiber optic configuration.

▲ Dimension



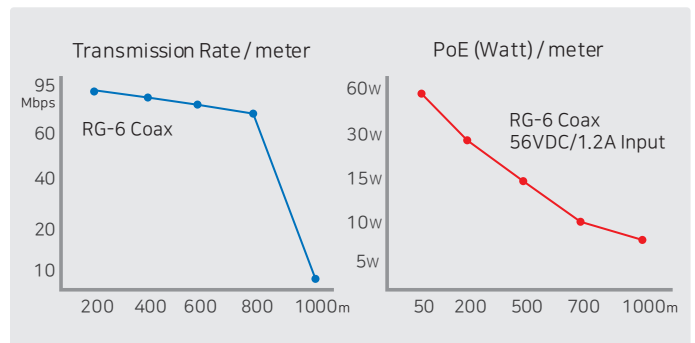
▲ Features

- Ethernet over coax (UTP, 2-Wire) communication following IEEE1901 Standard
- Data + Power over Coax (or UTP, 2-wire)
- Data distance up to 1000m
- PoE distance up to 1000m
- Max. 95Mbps Bandwidth
- 10/100 Full Duplex
- 128bit AES network encryption
- Supports Multi-connection (Daisy chain, Ring, Star, etc.)
- PoE, PoE+, Extra PoE (Max. 60W output) (ECP-9501T only)
- Plug & Play
- Over Current Protection for safe power transmission.
- Slim design

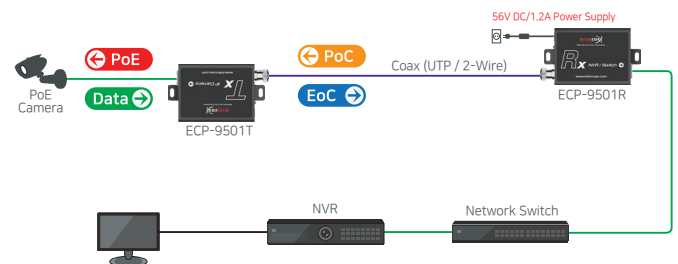
▲ Specification

Model		ECP-9501T	ECP-9501R
Interface	Coax	1 x 75Ω BNC (Female) - Ethernet over Coax	
	Ethernet	1 x RJ45 - 10/100 Base-T with Auto-detect MDIX	
Transmission Rate		95Mbps Full Duplex (PHY: 200Mbps)	
Transmission Distance	Ethernet	up to 1000m (RG-6)	
	PoE (PoC)	up to 1000m (RG-6 / 7W camera)	
LED Indication	Ethernet	1 x Data(Green) 1 x PoE(Yellow)	1 x Link/Act(Green) 1 x 10/100(Yellow)
	EoC	1 x BNC Join(Green)	
	Power	1 x PWR(Blue)	
Encryption		128-bit AES	
Power	Input	B-Linx or DC12V~ 57V	
	PoE Output	Support PoE (15W), PoE+ (30W), Extra PoE up to 60W	PoE Not Supported PoC Only
Mechanical	Dimension	82.4(L) x 61.6(W) x 24(H)mm	
	Weight	110g	105g
Environment	Operating Temp	-20 ~ 60°C	
	Storage Temp	-30 ~ 80°C	
	Relative Humidity	10% ~ 90%	
Compliance	Certification	FCC, CE, KC	
	Surge Protection	IEC 61000-4-5 4kV(1.2 / 50us), 2kA(8 / 20us)	
Optional Accessories		56VDC / 1.2A External Power Supply	

▲ Performance chart



▲ Connection Diagram



- ▶ Transmission distance may vary depending on the type and quality of cable, use of power and environmental condition.
- ▶ Distance is based on RG-6 coax cable and 7 Watt IP Camera.