

EUP-2808RM/2816RM

Premium 8/16 Port Ethernet over UTP Managed Receiving Switch (NMS)



Overview

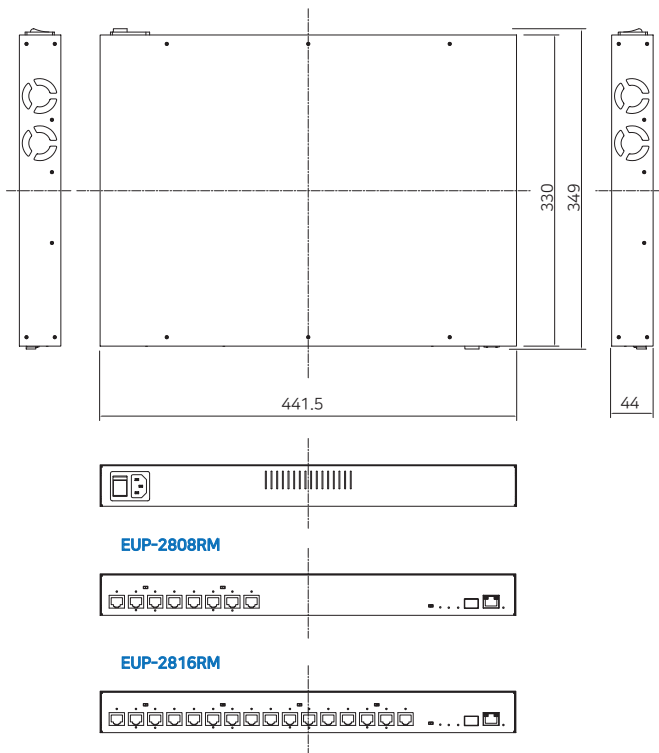
The All-New Intercoax EUP-2808RM/2816RM are 19" rack mountable Managed Long Distance Ethernet and PoE over UTP Receiving Switches. EUP-2808RM/2816RM are available with 8 or 16 T-Linx(UTP) ports. EUP-2808RM/2816RM are capable of connecting more than 8/16 EUP Transmitters (or use ECP Transmitters with BTE-02) even with Daisy-Chain connection and also support PoE powered devices such as IP cameras.

Data rates up to 1Gbps are achievable, making these devices the ideal choice in new or legacy installations where existing UTP cable is re-deployed as part of an upgrade from Analog to IP cameras.

EUP-2808RM has built-in 320 Watt power supply and EUP-2816RM has built-in 640 Watt power supply. PoE up to 60W per port is available.

All connected IEEE1901 HPAV standard devices are manageable with the ECP Manager, via Web GUI.

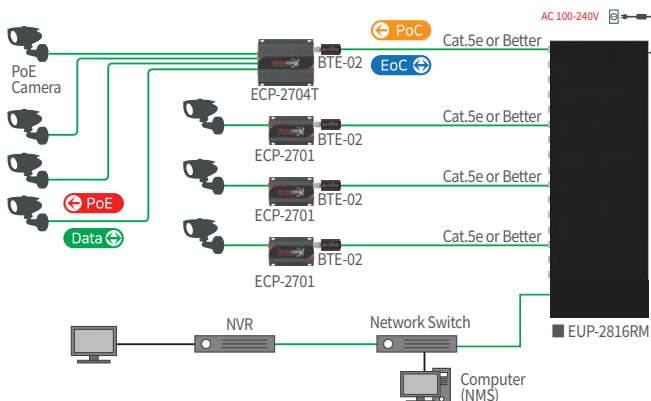
Dimension



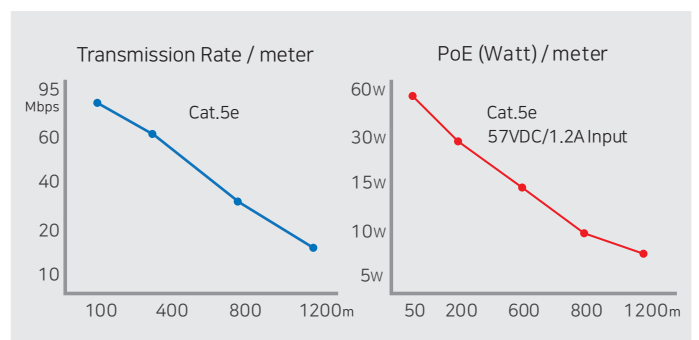
Features

- ECP Manager software, via Web GUI to access, monitor and manager the EUP-2808RM / 2816RM easily and remotely.
- Configure Join & Unjoin, Changing joining password and power reset of remotely connected devices
- Real-time monitoring of power consumption for each port
- Multicast Setting with IGMP Query & Report Generator
- SNMP/SSH
- VLAN/QoS
- Port Locking by MAC Addresses
- Back up & Restore of configuration
- 8/16 Port long distance up to 1.2Km
- PoE/ PoE+/ Extra PoE up to 60W (PoE++) per T-Linx port
- Each port has Auto Power Short Protection. When the cable is being shorted or damaged, it won't transmit power until the cable is fixed
- T-Linx Device Detection will secure the power transmission only to T-Linx devices
- 320W / 640W Built-in Power Supply
- Built-in crosstalk cancelling technology
- T-Linx Multiple Nodes can be used (Daisy Chain, Star, Etc.) on each port
- All IEEE1901-HPAV standard EoC devices can be easily connected remotely
- 19-inch(1U) rack mountable design
- Giga-bit SFP and Copper uplink port
- Supports UTP, Telephone (2 Pairs), 2-Wire cable communication (Using BTE Series)
- Surge Protection

Connection Diagram



Performance chart



EUP-2808RM/2816RM

Specification

Model	EUP-2808RM	EUP-2816RM	
Interface	UTP	8 x 100Ω RJ45 (Female) - Ethernet over UTP (T-LinX)	16 x 100Ω RJ45 (Female) - Ethernet over UTP (T-LinX)
	Up-Link	1 x RJ45 - 10/100/1000 Base-T with Auto MDIX, 1 x SFP - 1000 Base-FX	
T-LinX Transmission Rate (Ethernet over UTP)	UP to 560Mbps Full Duplex	UP to 1Gbps Full Duplex	
T-LinX Communication Standard	IEEE1901-HPAV		
T-LinX Communication Modulation	OFDM		
T-LinX Communication Multiple Nodes (Daisy Chain)	2 remote transmitters per port recommended (Max up to 4 per port)		
ECP Manager Connectivity	Available		
IGMP	IGMP (V1/V2/V3) Snooping, IGMP Query & Report Generator		
Data Transmission Distance	UTP	Up to 1.2Km (Cat.5e)	
Power Transmission Distance	UTP	Up to 1.2Km (Cat.5e / 7W)	
LED Indication	Power	1 x Blue	
	RJ45 Up-Link	1 x Green (10/100-Link) / 1 x Yellow (1000-Link)	
	SFP Up-Link	1 x Green (1000-Link)	
	Port	8 x Green	16 x Green
	Join	2 x Green	4 x Green
Alarm	Red		
Buzzer	Event	Buzzer / Mute	

Model	EUP-2808RM	EUP-2816RM	
Encryption	128-bit AES		
Power	AC Input	AC100V-240V (50Hz/60Hz), 320W / 640W (Redundancy power option)	
	DC output per Port	Max DC 57V (Max. 60W per port for PoE support)	
	Port Short Protection	Auto Detection & Protection	
Smart T-LinX Device Detection	Detection On / Off		
Mechanical	Dimension	441.5(L) x 330(W) x 44(H)mm	441.5(L) x 330(W) x 44(H)mm
	Weight	5,110g	5,540g
Environment	Operating Temp	-10 ~ 60°C	
	Storage Temp	-30 ~ 80°C	
	Relative Humidity	10% ~ 80%	
Compliance	Certification	CE (including Railways Standard EN 50121-4), FCC, KC, RoHS	
	Surge Protection	IEC61000-4-5 4kV(1.2 / 50us), 2kA(8/20us)	

- ▶ Multi-Port devices may have different bandwidth and power current for each port depending on number of connected cameras.
- ▶ Transmission distance may vary depending on the type and quality of cable, use of power and environmental condition.
- ▶ Distance is based on Cat.5e cable and 7 Watt IP Camera.

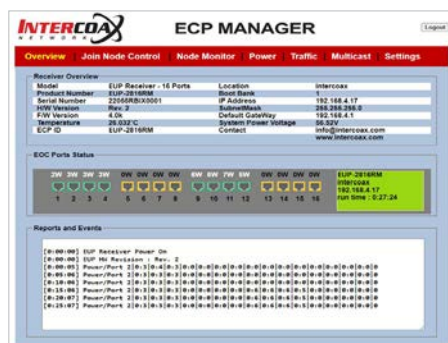
2808RM / 2816RM Software ▶ INTERCOAX ECP Manager

Professional management software for real-time monitoring, configuration and remote access.

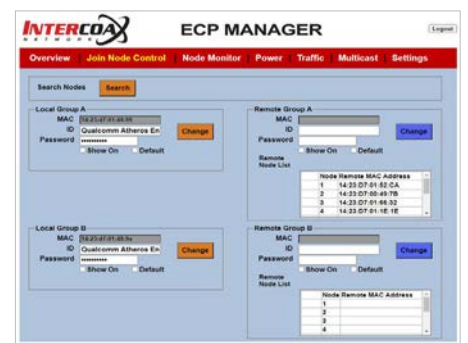
ECP Manager accessible via Web GUI



Receiver Overview of selected 2808 / 2816 Series



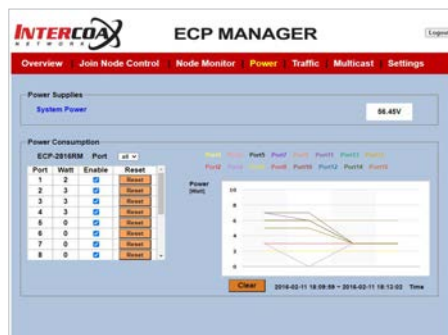
Remote access to connected devices and joining



Remote device monitoring



Power status with history & Port reset



Traffic monitoring

