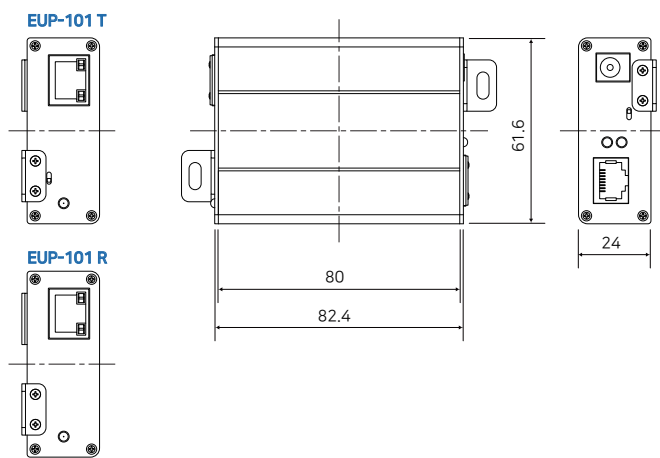


EUP-101T/R

Single Port Ethernet over UTP Transmitter / Receiver (Multicast)



Dimension



Overview

EUP-101 Series are High-Speed, long distance Ethernet & PoE extender that makes possible to transmit the Ethernet signal and PoE up to 600m through UTP cables in different situations.

It is cost-effective and time saving solution to migrate existing analog system to IP based system since EUP-101 supports easy installation utilizing the existing UTP cable.

With long distance transmission feature, the device makes to overcome 100 meters distance limitation easily and reduces the construction cost significantly compared with fiber optic configuration.

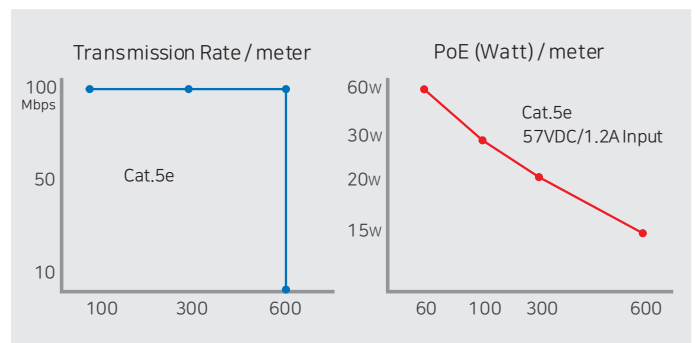
Features

- Ethernet Extension using UTP cable (Cat.5e or better)
- Data + Power over UTP cable
- Data and PoE distance up to 600m
- Max. 100Mbps Bandwidth
- 10/100 Full Duplex
- Multicast supported
- PoE, PoE+, Extra PoE (Max. 60W output) (EUP-101T only)
- PoE ON/OFF Switch (EUP-101T only)
- Quality LED (Data & Power)
- Plug & Play
- Surge Protection
- Support PoE+ Input (25.5W) from PSE devices – EUP-101R Only
- Compact design

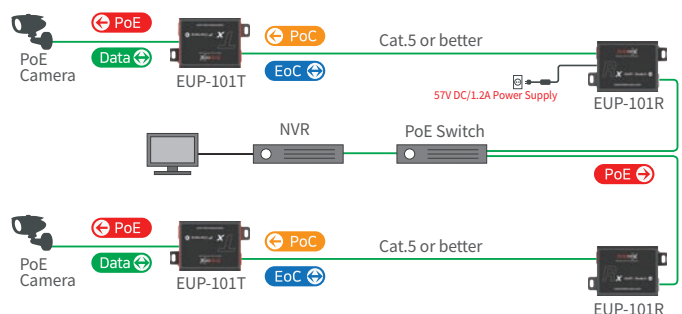
Specification

Model		EUP-101T	EUP-101R
Interface	EoC Signal	1 x RJ45 - Ethernet over UTP (T-LinX)	
	Ethernet	1 x RJ45 - 10/100 Base-T with manual	
Transmission Rate		10/100Mbps Full Duplex	
Transmission Distance	Ethernet	up to 600 m (Cat5e UTP Cable)	
	PoE (PoC)	up to 600 m (Cat.5e / 20W)	
LED Indication	Ethernet	1 x Link / Act (Green) / 1- PoE (Green)	
	PoE	1 x Link (Blue) / 1- Act (Green)	
	Power	1 x Power On (Green)	
Power	Input	DC48V~57V	
	PoE Output	IEEE802.3af (PoE), IEEE802.3at (PoE+), Extra PoE up to 60W	PoE Not Supported PoC Only
	PoE Input	Not Supported	Up to 25.5W (PD)
Mechanical	Dimension	82.4(L) x 61.6(W) x 24(H)mm	
	Weight	70g	
Environment	Operating Temp	-20 ~ 60°C	
	Storage Temp	-30 ~ 80°C	
	Relative Humidity	10% ~ 90%	
Compliance	Certification	FCC, CE, KC, RoHS	
	Surge Protection	IEC 61000-4-5 4kV(1.2 / 50us), 2kA(8 / 20us)	
Optional Accessories		57VDC / 1.2A External Power Supply	

Performance chart



Connection Diagram



- ▶ Transmission distance may vary depending on the type and quality of cable, use of power and environmental condition.
- ▶ Distance is based on Cat.5e cable and 7 Watt IP Camera.