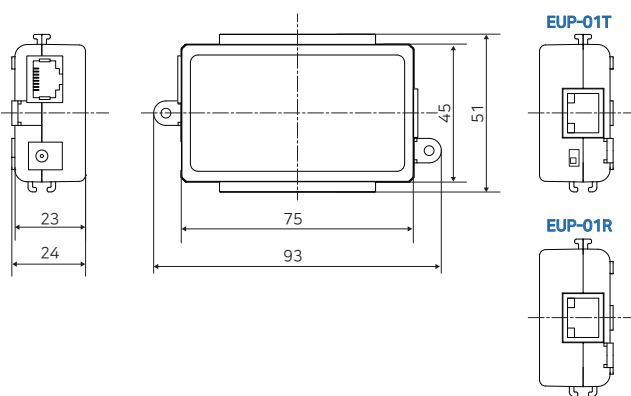


EUP-01T/R

Single port Ethernet over UTP Transmitter / Receiver (With multicast support)



Dimension



Specification

Model		EUP-01T	EUP-01R
Interface	EoC Signal	1 x RJ45 - Ethernet over Cat5e, Cat5, Cat6, UTP/STP (4-Pair)	
	Ethernet	1 x RJ45 - 10/100 Base-T	
Transmission Rate		Max. 100Mbps between Intercoax devices	
Transmission Distance	Data	up to 400 m (Cat5e, Cat5, Cat6, UTP/STP (4Pair))	
	PoE (PoC)	up to 400 m (Cat5e, Cat5, Cat6, UTP/STP (4Pair))	
LED Indication	Ethernet	1 x Link (Yellow) / 1 x ACT (Green)	
Power	Input	EUP-01R or DC48V~57V	PoE Switch/NVR (Max. 25W) or DC48V~57V(Max. 70W)
	PoE Output	IEEE802.3af (PoE), IEEE802.3at (PoE+), Extra PoE up to 60W with 57V Power Adaptor	PoE Not Supported PoC Only
Mechanical	Dimension	93(L) x 51(W) x 24(H)mm	
	Weight	52 g	
Environment	Operating Temp	-20 ~ 60°C	
	Storage Temp	-30 ~ 80°C	
	Relative Humidity	10% ~ 90%	
Compliance	Certification	FCC, CE, KC, RoHS	
	Surge Protection	IEC 61000-4-5 4kV(1.2 / 50us), 2kA(8 / 20us)	
Optional Accessories		57VDC / 1.2A External Power Supply	

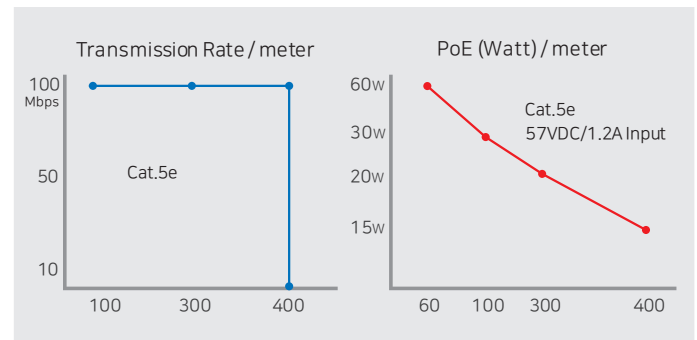
Overview

EUP-01 Series are High-Speed, long distance Ethernet & PoE extender that makes possible to transmit the Ethernet signal and PoE up to 400m through UTP cable. It is cost-effective and time saving solution to migrate existing system to IP based system since EUP-01 series support easy installation utilizing the existing UTP cables. With long distance transmission feature, the device makes to overcome 100 meters distance limitation easily and reduces the construction cost significantly compared with fiber optic configuration.

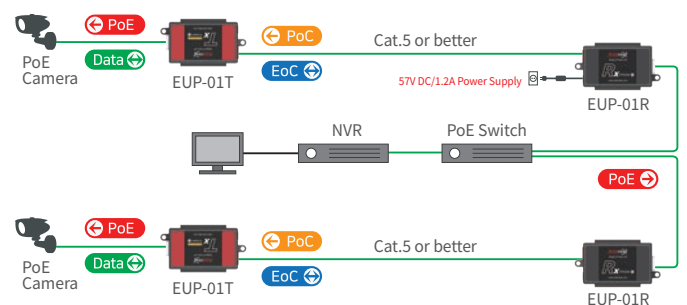
Features

- Long reach Ethernet & PoE extension over UTP cable
- Data + Power over UTP cable
- Data & PoE distance up to 400m
- Data up to 100Mbps
- 100Mbps Full Duplex
- Multicast ready
- PoE, PoE+, Extra PoE (Max. 60W PoE output, EUP-01T model only with DC Power adaptor)
- PoE ON/OFF Switch (EUP-01T only)
- LED Indication (Data, Power)
- Plug & Play
- Built-in surge protection
- Support PoE, PoE+ Input (25.5W) from PoE Switch / PoE NVR
- Slim design

Performance chart



Connection Diagram



- ▶ Transmission distance may vary depending on the type and quality of cable, use of power and environmental condition.
- ▶ Distance is based on Cat.5e cable and 7 Watt IP Camera.