

ETP-01T/R

Single Port Ethernet over 2-Wire Transmitter / Receiver (with multicast support)



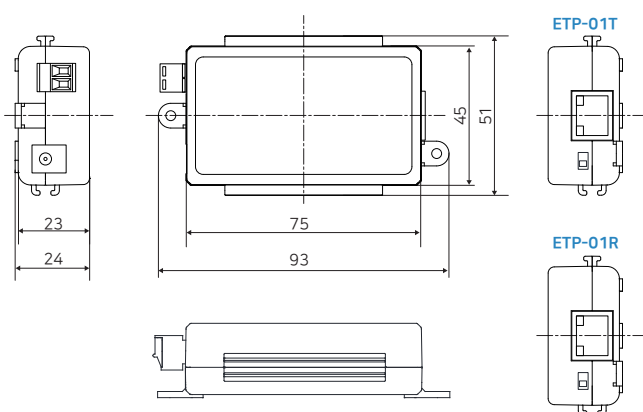
Overview

ETP-01 Series are High-Speed, long distance Ethernet & PoE extender that makes possible to transmit the Ethernet signal and PoE up to 300m through single pair of twisted wires.

It is cost-effective and time saving solution to migrate existing analog system to IP based system since ETP-01 series support easy installation utilizing the existing UTP bundle cables or any single twisted pair cables.

With long distance transmission feature, the device makes to overcome 100 meters distance limitation easily and reduces the construction cost significantly compared with fiber optic configuration.

Dimension



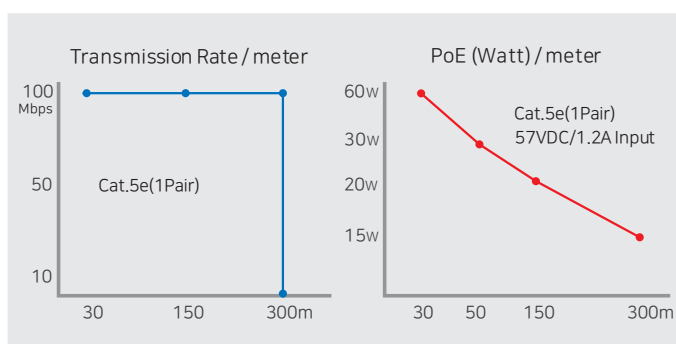
Features

- Long reach Ethernet & PoE extension over existing 2-Wire twisted cable
- Data + Power over twisted cable
- Data and PoE distance up to 300 m
- 100Mbps Full Duplex
- PoE, PoE+, Extra PoE (Max. 60W PoE output, ETP-01T model only with DC Power adaptor)
- LED Indication (Data, Power)
- Plug & Play
- Surge Protection
- Support PoE, PoE+ Input (25.5W) from PoE Switch / PoE NVR (ETP-01R model only)
- Slim design

Specification

| Model | | ETP-01T | ETP-01R |
|-----------------------|-------------------|---|--|
| Interface | 2-Wire | 1 x 2-Pin Terminal Block-Ethernet over 2-Wire cable | |
| | Ethernet | 1 x RJ45 - 10/100 Base-T | |
| Transmission Rate | | Max. 100Mbps between Intercoax devices | |
| Transmission Distance | Data | Up to 300m (1 Pair Twisted and Solid Cable) | |
| | PoE (PoC) | Up to 300m (1 Pair Twisted and Solid Cable) | |
| LED Indication | Ethernet | 1 x Link (Yellow) / 1 x ACT (Green) | |
| Power | Input | ETP-01R or DC48V-57V | PoE Switch/NVR (Max. 25W) or DC48V-57V(Max. 70W) |
| | PoE Output | IEEE802.3af (PoE), IEEE802.3at (PoE+), Extra PoE up to 60W with 57V Power Adaptor | PoE Not Supported PoC Only |
| Mechanical | Dimension | 93(L) x 51(W) x 24(H)mm | |
| | Weight | 52 g | |
| Environment | Operating Temp | -20 ~ 60°C | |
| | Storage Temp | -30 ~ 80°C | |
| | Relative Humidity | 10% ~ 90% | |
| Compliance | Certification | FCC, CE, KC, RoHS | |
| | Surge Protection | IEC 61000-4-5 4kV(1.2 / 50us), 2kA(8 / 20us) | |
| Optional Accessories | | 57VDC / 1.2A External Power Supply | |

Performance chart



Connection Diagram

