

EPR-111

Ethernet & PoE Repeater



Overview

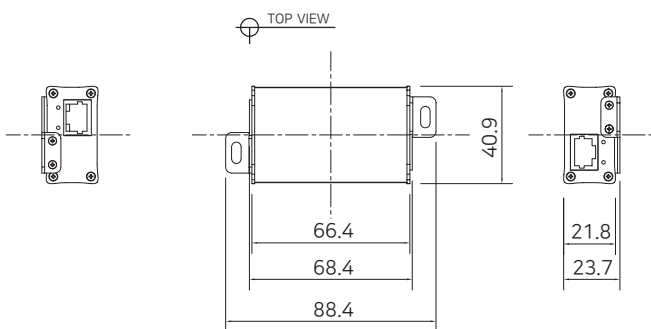
EPR-111 is Ethernet & PoE Repeaters that make possible to overcome max. 100m distance limitation of the network configuration. For more distance extension, the devices can be added by daisy-chaining (up to 600m).

It is cost effective and easy installation solution for all kind of PoE (IEEE802.3af/at / 25W) compliant devices such as IP cameras, Network Switch, VoIP Phone, etc.

Features

- Ethernet & PoE Repeater
- Up to 200m Ethernet & PoE extension
- Additional extension by adding devices
- 25W PoE output (IEEE802.3af/at)
- No additional power required (PoE powered)
- Surge Protection
- Slim design

Dimension

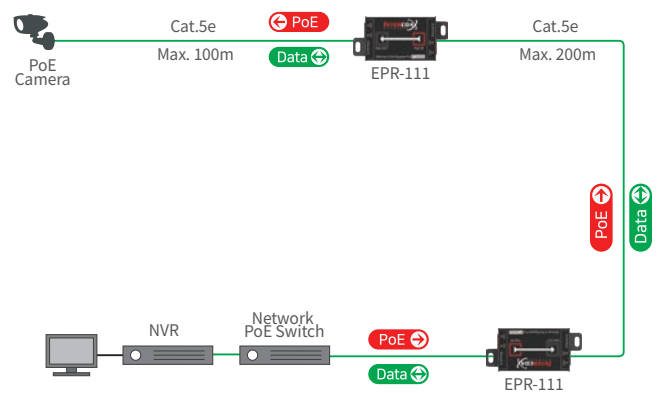


Specification

Model		EPR-111
Interface	LAN / PoE In	1 x RJ45 - 10/100 Base-T with Auto-detect MDIX
	LAN / PoE Out	1 x RJ45 - 10/100 Base-T with Auto-detect MDIX
Transmission Rate		100Mbps Full Duplex
Transmission Distance		100m ** (200m)
LED Indication	Ethernet	1 x Data (Green)
	Power	1 x PoE (Yellow)
PoE	Input	PoE Switch/NVR (Max. 25W)
	Output	Max. 25W PoE+ output (IEEE802.3af/at)
Mechanical	Dimension	66.4(L) x 40.9(W) x 21.8(H)mm
	Weight	72.5g
Environment	Operating Temp	-20 ~ 60°C
	Storage Temp	-20 ~ 80°C
	Relative Humidity	10% ~ 90%

▶ ** () means Max distance between EPR series.

Connection Diagram



▶ Transmission distance may vary depending on the type and quality of cable, camera and environmental condition