

# ECP-2601T/R

Premium Single Port Ethernet over Coax Transmitter / Receiver



## Overview

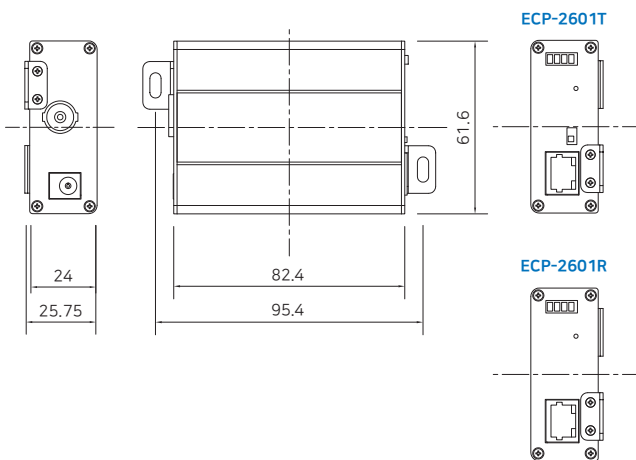
ECP-2601 is a High-Speed, long distance Ethernet & PoE extender that makes possible to transmit the Ethernet signal up to 2.4Km and PoE up to 1.2Km via Coax (or UTP, 2-wire) cables in different situations. It is cost-effective and time saving solution to migrate existing analog system to IP based system since ECP-2601 supports easy installation utilizing the existing cable.

With long distance transmission feature, the device makes to overcome 100 meters distance limitation easily and reduces the construction cost significantly compared with fiber optic configuration.

## Features

- Ethernet over Coax communication following IEEE1901 Standard
- Data + Power over Coax cable (or UTP, 2-Wire)
- Data distance up to 2.4Km
- PoE distance up to 1.2Km
- Max. 95Mbps Bandwidth (270Mbps between Intercoax 2 series models)
- 10/100 Full Duplex
- 128bit AES network encryption
- Supports Multi-connection (Daisy chain, Star, etc.)
- PoE, PoE+, Extra PoE (Max. 60W output)
- Supports UTP, Telephone (2 Pairs), 2-Wire cable communication (Using BTE Series)
- LED Indication (Data, Power, Link, PoE)
- Plug & Play
- Surge Protection
- Support PoE+ Input (25.5W) from PSE devices – ECP-2601R Only
- Slim design

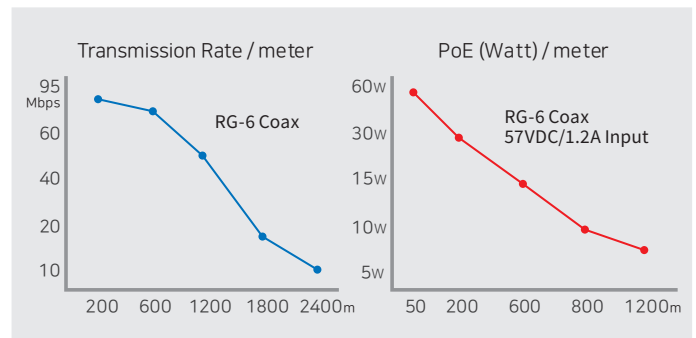
## Dimension



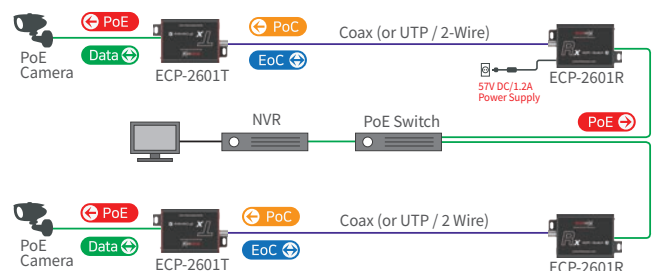
## Specification

Model		ECP-2601T	ECP-2601R
Interface	Coax	1 x 75Ω BNC (Female) - Ethernet over Coax	
	Ethernet	1 x RJ45 - 10/100 Base-T with Auto-detect MDIX	
Transmission Rate		95Mbps Full Duplex (270Mbps between Intercoax devices)	
Transmission Distance	Data	up to 2.4Km(RG-6)	
	PoE (PoC)	up to 1.2Km (RG-6 / 7W camera)	
LED Indication	Ethernet	1 x Data-Link (Yellow)	
	EoC	1 x Join-Link (Green)	
	Power	1 x Power On(Amber)	
	PoE	1 x PoE Out (Red)	
Encryption		128-bit AES	
Power	Input	ECP-2601R or DC48V~57V	PoE Switch/NVR (Max. 25W) or DC 48V~57V(Max. 70W)
	PoE Output	IEEE802.3af (PoE), IEEE802.3at (PoE+), Extra PoE up to 60W with 57V Power Adaptor	PoE Not Supported PoC Only
Mechanical	Dimension	82.4(L) x 61.6(W) x 24(H)mm	
	Weight	77g	
Environment	Operating Temp	-20 ~ 60°C	
	Storage Temp	-30 ~ 80°C	
	Relative Humidity	10% ~ 90%	
Compliance	Certification	FCC, CE, KC, RoHS	
	Surge Protection	IEC 61000-4-5 4kV(1.2 / 50us), 2kA(8 / 20us)	
Optional Accessories		57VDC / 1.2A External Power Supply	

## Performance chart



## Connection Diagram



- ▶ Transmission distance may vary depending on the type and quality of cable, use of power and environmental condition.
- ▶ Distance is based on RG-6 cable and 7 Watt IP Camera.