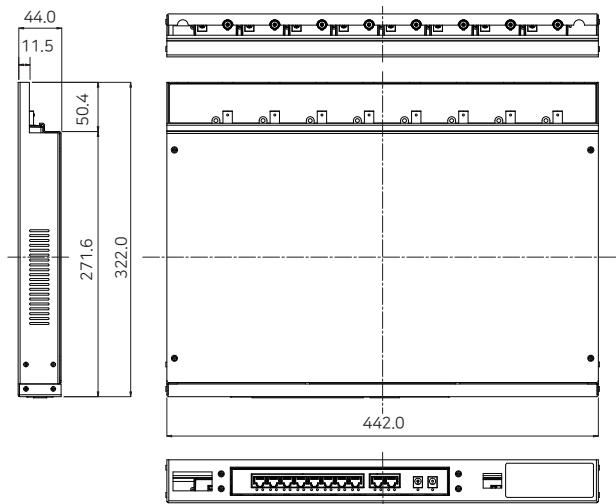


ECP-08R

8 Port Ethernet over Coax Receiver



Dimension



Specification

Model	ECP-08R	
Interface	Coax	8 x 75Ω BNC (Female) - Ethernet over Coax (Coaxia S series)
	Ethernet Downlink	8 x RJ-45 - 10/100/1000 Base-T with Autodetect MDIX (IEEE802.3af/at)
	Ethernet Uplink	2 x RJ-45 - 10/100/1000 Base-T with Autodetect MDIX
Transmission Rate	Coax	Max. 100Mbps between Intercoax devices
	Ethernet	Max. 1Gbps Full Duplex
Transmission Distance	Coax	up to 400 m (RG-59 or better)
	Ethernet	Up to 100m Up to 200m with HPS-01(2 Port Hybrid Switch)
LED Indication	Ethernet (Downlink)	8 x RJ45 Data Link (Green)
	Ethernet (Uplink)	2 x RJ45 Data Link (Green/Orange)
	PoE Output	8 x PoE Output (Orange)
	PWR Input	2 x Power Input (Blue)
Power Input	2 x Power input [DC-Jack] DC48V-57V	
Power Output	PoC	Coaxia PoE, PoE+, Extra PoE Max 60W over Coax.
	PoE	IEEE802.3af(PoE), IEEE802.3at (PoE+ / up to 25.5W)
Mechanical	Dimension	440(L) x 320(W) x 45(H)mm
	Weight	4480g
Environment	Operating Temp	-10 ~ 60°C
	Storage Temp	-30 ~ 80°C
	Relative Humidity	10% ~ 90%
Compliance	Certification	FCC, CE, KC, RoHS
	Surge Protection	IEC 61000-4-5 4kV(1.2 / 50us), 2kA(8 / 20us)
Optional Accessories	ECP-01T, ECP-101T, Coaxia S Series Cameras & Etc.	

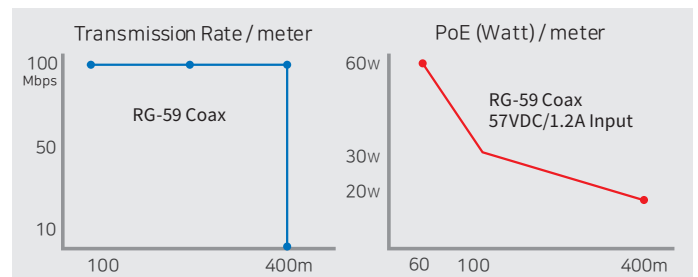
Overview

ECP-08R is an all-in-one 8-port Ethernet over Coax receiver and Hybrid switch that simultaneously transmits network data and supplies PoC power at high speed and long distance via coaxial cable, while also supporting existing Ethernet and PoE+ for short and long distances. It is a cost-effective and time-saving solution to migrate from an existing analog system to an IP-based system. Network cameras are easy to install with re-use of the existing analog coaxial cables. At the same time, it is possible to use general Ethernet, and if combined with the HPS-01 switch, transmission can be extended up to 200m at a speed of up to 100Mbps. Two power supplies are included for redundancy and power sharing.

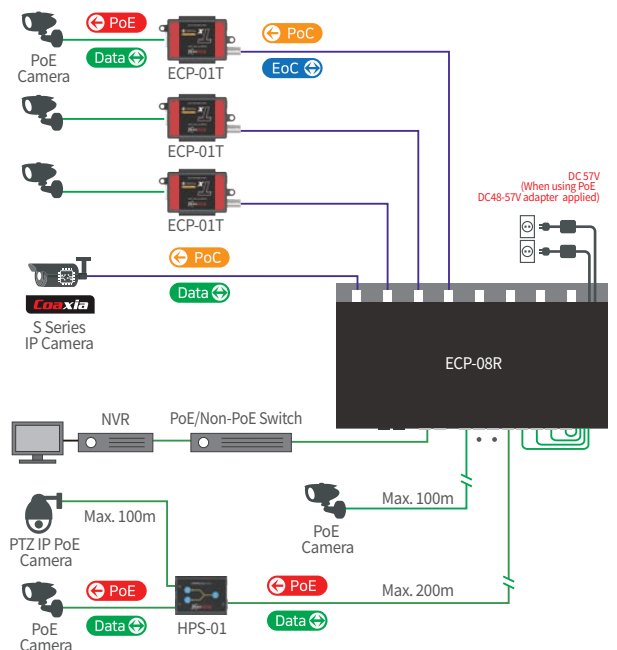
Features

- Simultaneous use of regular Ethernet and PoC
- Ethernet Extension over existing coaxial cable
- Data + Power over Coaxial cable (PoE, PoC)
- Data + PoE up to 400m over Coax
- 100Mbps Full Duplex over Coax
- PoE, PoE+, Extra PoE (Max.60W Output) - Use of additional power adaptor
- Quality LED (Data, Power)
- Plug & Play
- Surge protector
- 10/100/1000 Base-T Ethernet (Full Duplex) 8+2 Hybrid PoE Switch
- 8 Port POE (IEEE802.3af standard) / PoE+ (IEEE802.3at standard)
- Extended Ethernet distance up to 200m (10/100 Base-T Ethernet standard / With the HP-01 Switch)
- 19" Rack

Performance chart



Connection Diagram



▶ Transmission distance may vary depending on the type and quality of cable, use of power and environmental condition.