

ECP-01T/R

Single Port Ethernet over Coax Transmitter / Receiver



Overview

ECP-01 Series are High-Speed, long distance Ethernet & PoE extender that makes possible to transmit the Ethernet signal and PoE up to 400m through coaxial cables in different situations.

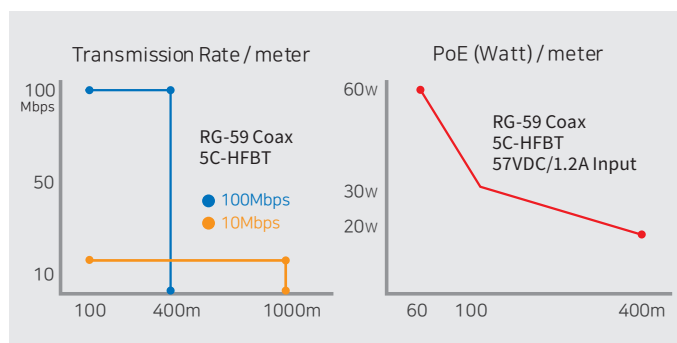
It is cost-effective and time saving solution to migrate existing analog system to IP based system since ECP-01 series support easy installation utilizing the existing coaxial cable.

With long distance transmission feature, the device makes to overcome 100 meters distance limitation easily and reduces the construction cost significantly compared with fiber optic configuration.

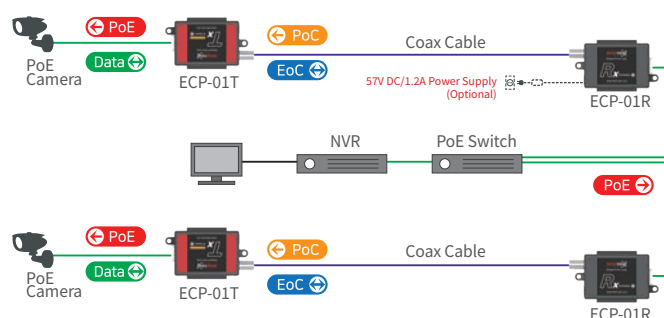
Features

- Long reach Ethernet & PoE extension over existing coaxial cable
- Data + Power over coaxial cable
- Data distance up to 1000 m
- 100Mbps Full Duplex
- PoE, PoE+, Extra PoE (Max. 60W PoE output, ECP-01T model only with DC Power adaptor)
- LED Indication (Data, Power)
- Plug & Play
- Support PoE, PoE+ Input (25.5W) from PoE Switch / PoE NVR (ECP-01R model only)
- Slim design

Performance chart

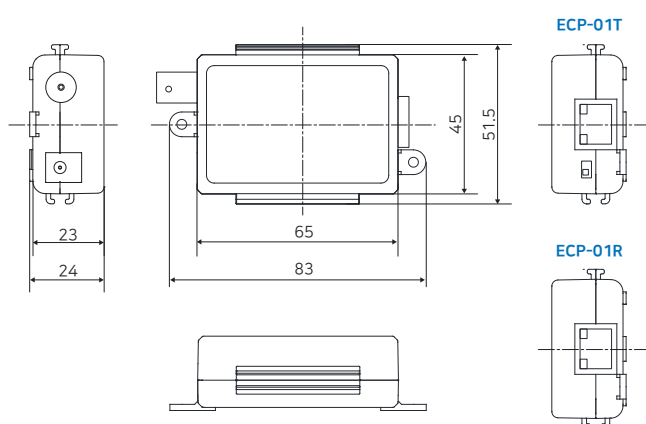


Connection Diagram



- ▶ Transmission distance may vary depending on the type and quality of cable, use of power and environmental condition.

Dimension



Specification

Model		ECP-01T	ECP-01R
Interface	Coax	1 x 75Ω BNC (Female) - Ethernet over Coax	
	Ethernet	1 x RJ45 - 10/100 Base-T	
Transmission Rate		Max. 100Mbps between Intercoax devices	
Transmission Distance	Data	up to 400 m when 100Mbps is used up to 1000 m when 10Mbps is used (5C-HFBT, RG-59 or better)	
	PoE (PoC)	Up to 400meter (RG59, RG6, 5C, 3C)	
LED Indication	Ethernet	1 x Link (Yellow) / 1 x ACT (Green)	
Power	Input	ECP-01R or DC48V~57V	PoE Switch/NVR (Max. 25W) or DC48V~57V(Max. 70W)
	PoE Output	IEEE802.3af (PoE), IEEE802.3at (PoE+), Extra PoE up to 60W with 57V Power Adaptor	PoE Not Supported PoC Only
Mechanical	Dimension	83(L) x 51(W) x 24(H)mm	
	Weight	52g	
Environment	Operating Temp	-20 ~ 60°C	
	Storage Temp	-30 ~ 80°C	
	Relative Humidity	10% ~ 90%	
Compliance	Certification	FCC, CE, KC, RoHS	
	Surge Protection	IEC 61000-4-5 4kV(1.2 / 50us), 2kA(8 / 20us)	
Optional Accessories		57VDC / 1.2A External Power Supply	